



Data Sheet
High Performance Door
RapidRoll® 3000 L

The Roll Door with DiscDrive™ Technology

High transparency due to large vision panels.

Winding mechanism (DiscDrive™) reduces noise and wear - Unique design for long term use.

Reduced crash damage thanks to flexible and hingeless connection.

Proven safety guaranteed by the patented pre-running safety photocell as touchless safety device.



Next generation of intelligent door control systems by Albany Door Systems

High Performance Doors RapidRoll® 3000 L



ADVANTAGES OF ALBANY RAPIDROLL® 3000 L

- a simple ingenious winding mechanism limits noise and wear
- large vision panels offer high transparency
- reduced crash damage thanks to flexible and hingeless connected profiles
- patented pre-running safety photocell as a touchless safety device on the main closing edge

APPLICATION

High speed roll door for interior use and as exterior closure for high frequented openings.

DESIGN

The door curtain is made of single aluminium profiles and horizontal vision panels of transparent PVC. Each of them hingelessly connected by means of flexible high performance tension elements. This leads to long service intervals. The flexible connection avoids or minimises damages in case of a crash.

The top ends of the tension elements are connected on both sides with the winding modules, which allows a touchless winding of the door profiles.

Side frames and lintel profil are made from galvanised steel. All side frame elements are pre-mounted as well as the top roll with curtain, which leads to reduced installation time.

DOOR CURTAIN

The door curtain consists of anodised aluminium profiles and transparent PVC sections. Each profile is separately fixed to the tension elements, allowing simple and fast replacement.

A constantly acting door curtain tension ensures a smooth and steady-going moving.

DRIVE UNIT

Gear motor. Position can be chosen right- or left-hand.

CONTROL SYSTEM

Frequency converter control system MCC^{VectorControl}.

Please refer to technical data.

MANUAL ACTIVATION

In the event of a power failure the door can be operated by releasing the brake manually. Depending on the width/height ratio, the door opens partly by means of the pre-stressed tension springs.

SAFETY FEATURES

The door is designed according to the Workplace Directive of the UVV regulations and the harmonized CE Guidelines including the EN 13241-1.

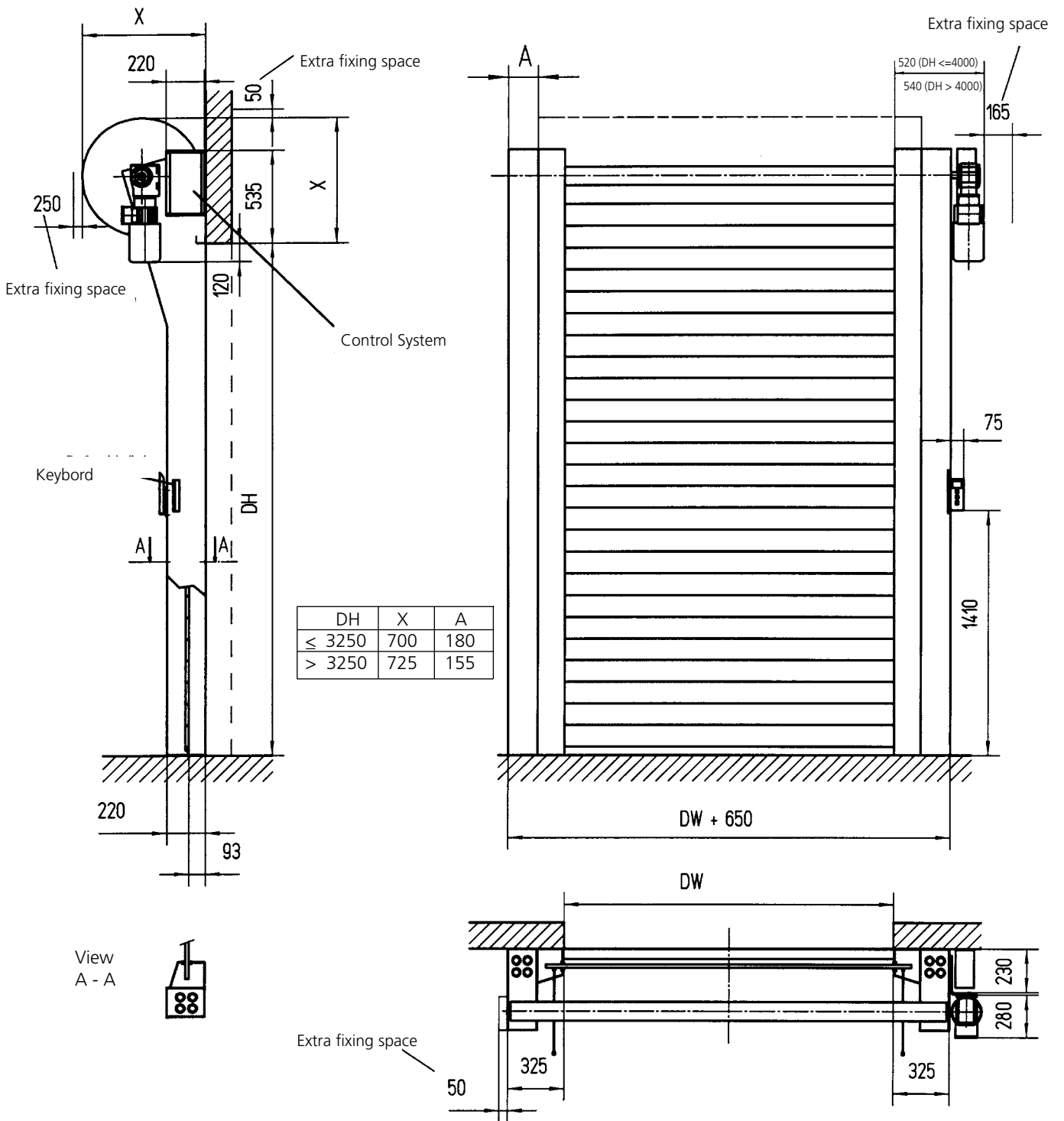
INDICATON OF RISK

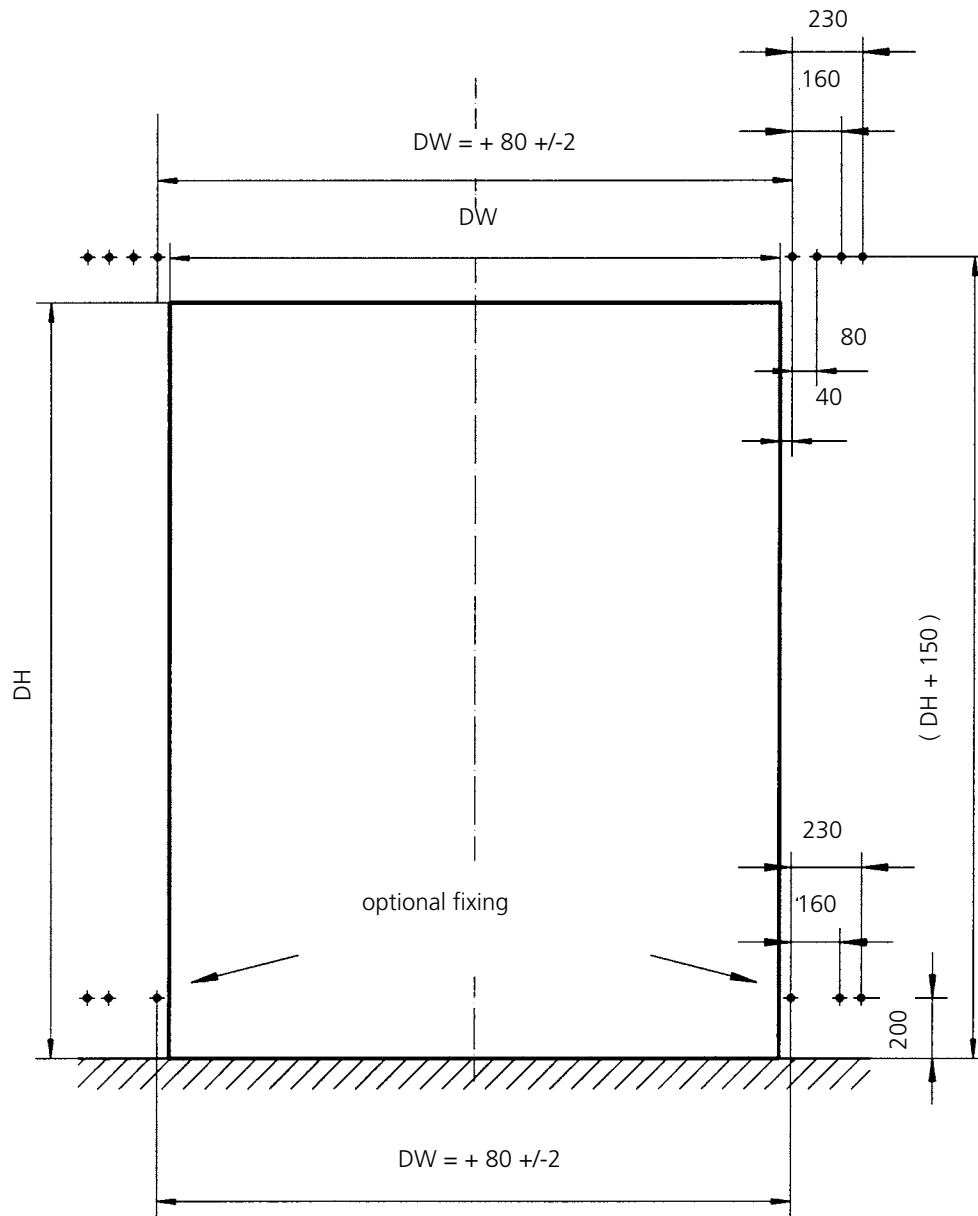
The security of the door is designed for normal use and for vehicles in an industrial environment corresponding to the harmonized CE-Guidelines. In consideration of the on site situation – especially in case of pedestrian use – additional safety measures, such as additional actuators may be required. In addition, special environmental conditions may impact the choice of door type. For more information or to schedule an on-site inspection, please contact an Albany Door Systems sales engineer.

Technical Data	
Exterior door	suitable
Interior door	suitable
Wind resistance	class 3 - EN 12424
Mounting position	inside
Door dimension (mm)	For details please note general drawing!
DW min. / max.	600 / 5000* mm
DH min. / max.	2500* / 5000 mm
* other dimensions on request	
Opening direction	vertical
Surface side columns	
Galvanised steel	✓
RAL colour paint	•
Aluminium (front covers)	•
Covers (optional)	
Motor cover	• ¹⁾
Top roll cover	• ¹⁾
Door curtain	
Anodised aluminium with horizontal vision panels of transparent PVC	✓
PVC panels grey	•
Extended flexible seal	•
Drive unit	electrical
Motor power / kW	1,1 kW
Control system	MCC ^{VectorControl}
Additional opening height	✓
Potential free contacts	•
Fuse protection	12 A
Control voltage	24 V DC
Protection degree	IP 55
Power supply	
3L(N)/PE 380/400/415/440/480V; 50/60 Hz	✓ ²⁾
Safety	
Pre-running safety photocell	✓
Door line photocell	✓
Safety contact edge	•
Curtain tension	✓
Counterbalance	✓
Self opening (partial) by manual activation of the brake	✓ from floor
Break release lever outside	•
Speed (m/s)	
Open/close up to max.	2,5 / 0,7 m/s
Traffic light function	
Without direction detection	✓ 24 V DC
With direction detection	✓ 24 V DC
Flashing alarm light	✓ 24 V DC
Error message	✓ plain text
• Option ✓Standard — currently not available	

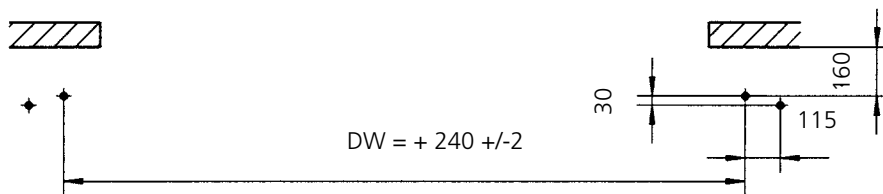
¹⁾ For doors of height < 2500 mm the use of top roll and motor cover is required according to standard EN 13241-1.

²⁾ Transformer necessary for 220/230/500 V.





fixing screws M12 or comparables



TOP ROLL COVERS¹⁾

Optional top roll covers of anodised aluminium are available for additional door protection (not pictured here).

SIDE FRAME

The side frames are made from galvanised steel.

Options

- powder coated (various RAL colours)
- covers in aluminium

SAFETY FEATURES

The patented pre-running safety photocell detects an object in the door path and immediately reverses the door before making contact. An additional doorline photocell is standard.



MOTOR POSITION

Motor position optionally right or left.

MOTOR COVER¹⁾

Standard without motor cover, optional motor cover are available (not pictured here).

DOOR CURTAIN

The door curtain consists of anodised aluminium profiles and transparent PVC sections. Optional: grey PVC-sections.

COLOUR

Door curtain of anodised aluminium profiles.

CONTROL BOX

Frequency converter control system MCC^{VectorControl}. This system features soft-start / soft-stop technology, providing smoother operation during use resulting in less wear on the door components.

BOTTOM PROFILE

To improve sealing, e.g. in case of an uneven floor, an extended flexible seal is available as option.

ACTUATORS

Individual applications can include additional safety devices. Actuators such as infrared, radar detectors, push buttons, vehicle detector loops or radio transmitters can be added to the control system. Please contact us for additional information for your specific needs.

Notes:

¹⁾ For doors of height ≤ 2500 mm the use of top roll and motor cover is required according to standard EN 13241-1.



Products shown may include additional options.



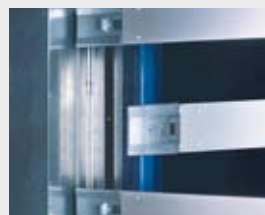
DISCDRIVE™

This patented technology reduces excessive wear, vibration and noise during high-cycle operation.



WINDOWS

The door curtain consists of anodised aluminium profiles and transparent PVC sections.



INTERCHANGEABLE PROFILES

Individual profiles can be replaced if they become damaged.



CONTACTLESS SAFETY EDGE

This patented pre-running photocell reverses the door if an object is in the door path to prevent contact.



Products shown may include additional options.

ALBANY DOOR SYSTEMS

ASIA

KIARA PARK 172-3-2 • JLN. BURHANUDDIN HELMI
TTDI, 60.000 KUALA LUMPUR
PHONE: +60 (0) 3 77 27 01 84 • FAX: +60 (0) 3 77 27 01 84
INFO.ADS.MY@ALBINT.COM

AUSTRALIA

23 FAUNCE ST. WEST GOSFORD • 2250 NSW
PHONE: +61 (0) 2 / 43 23 23 86 • FAX: +61 (0) 2 / 43 24 54 11
SALES.ADS.AU@ALBINT.COM

GERMANY

AM MONDSCHEN 25 • 59557 LIPPSTADT
PHONE: +49 (0) 29 41 / 766-0 • FAX +49 (0) 2941 / 766-294
VERKAUF.ADS.DE@ALBINT.COM

SWEDEN

BOX 509 • S - 301 80 HALMSTAD
PHONE: +46 (0) 35/14 73 00 FAX: +46 (0) 35/14 73 99
SALES.ADS.SE@ALBINT.COM

USA

975-A OLD NORCROSS ROAD • LAWRENCEVILLE • GA 30045-4321
PHONE: +1 (0) 7 770 / 338 / 5000 • FAX: +1 (0) 770/338/5024
SALES.ADS.US@ALBINT.COM

Albany Door Systems products and services are available around the world. For a subsidiary or representative in your region visit:

WWW.ALBANYDOORS.COM