



Data Sheet
High Performance Door
RapidRoll® 3000

The Roll Door with DiscDrive™ Technology

The RapidRoll® 3000 enhances security, increases operational savings, lowers maintenance cost and offers reliable performance in high traffic areas.

The unique DiscDrive technology provides extraordinary speed while reducing excessive wear, vibration and noise during operation.



Next generation of intelligent
door control systems by
Albany Door Systems

INTERIOR EXTERIOR
PROCESS SERVICE

High Performance Door RapidRoll® 3000



ADVANTAGE OF ALBANY RAPIDROLL® 3000

- Patented DiscDrive technology prevents metal to metal contact as the door slats wind onto the top roll. This reduces excessive wear, vibration and noise in high-cycle door operations.
- Low maintenance. The RapidRoll® 3000 has fewer moving parts than other high speed rolling doors. No hinges, wheels or rollers that can be expensive to replace. Fast opening and closing speeds. Saves on utility costs by reducing loss of heating and cooling energy within temperature controlled environments.
- Contactless Safety Edge® detects an object in the door path and reverses the door before the bottom edge can make contact with equipment, vehicles or personnel.

APPLICATION

- High-cycle and high traffic areas where operational reliability is critical and security/access control is a primary requirement.

DESIGN

- Unique disc modules built into the top header wind the slats of the door panel onto the top roll without the slats making contact with each other. The result is less wear on the door panel and operating components.
 - A counterbalanced tensioning system provides smooth operation.
 - In the event of a power outage the manual release handle (emergency egress) enables the door to be opened.
- The side frames are painted 11 gauge galvanized steel with bolt on covers providing an attractive appearance to protect the door counterbalance and tensioning system.

DOOR CURTAIN

- The door panel consists of anodized aluminium slats mounted individually without hinge connections or rollers.
- Flexible rubber provides a tight weather seal between each slat and helps the door panel minimize lasting damage in the event of an accidental impact.
- Aluminium slats enhance wind resistance.
- Individual door slats can be quickly and easily replaced if they become damaged.

DRIVE UNIT

Gear motor. Position can be chosen right- or left-hand.

CONTROL SYSTEM

Frequency converter control system MCC^{VectorControl}. Please refer to technical data.

MANUAL ACTIVATION

In the event of a power failure the door can be operated by releasing the brake manually. Depending on the width/height ratio, the door opens partly by means of the pre-stressed tension springs.

SAFETY FEATURES

The door is designed according to the Workplace Directive of the UVV regulations and the harmonized CE Guidelines including the EN 13241-1.

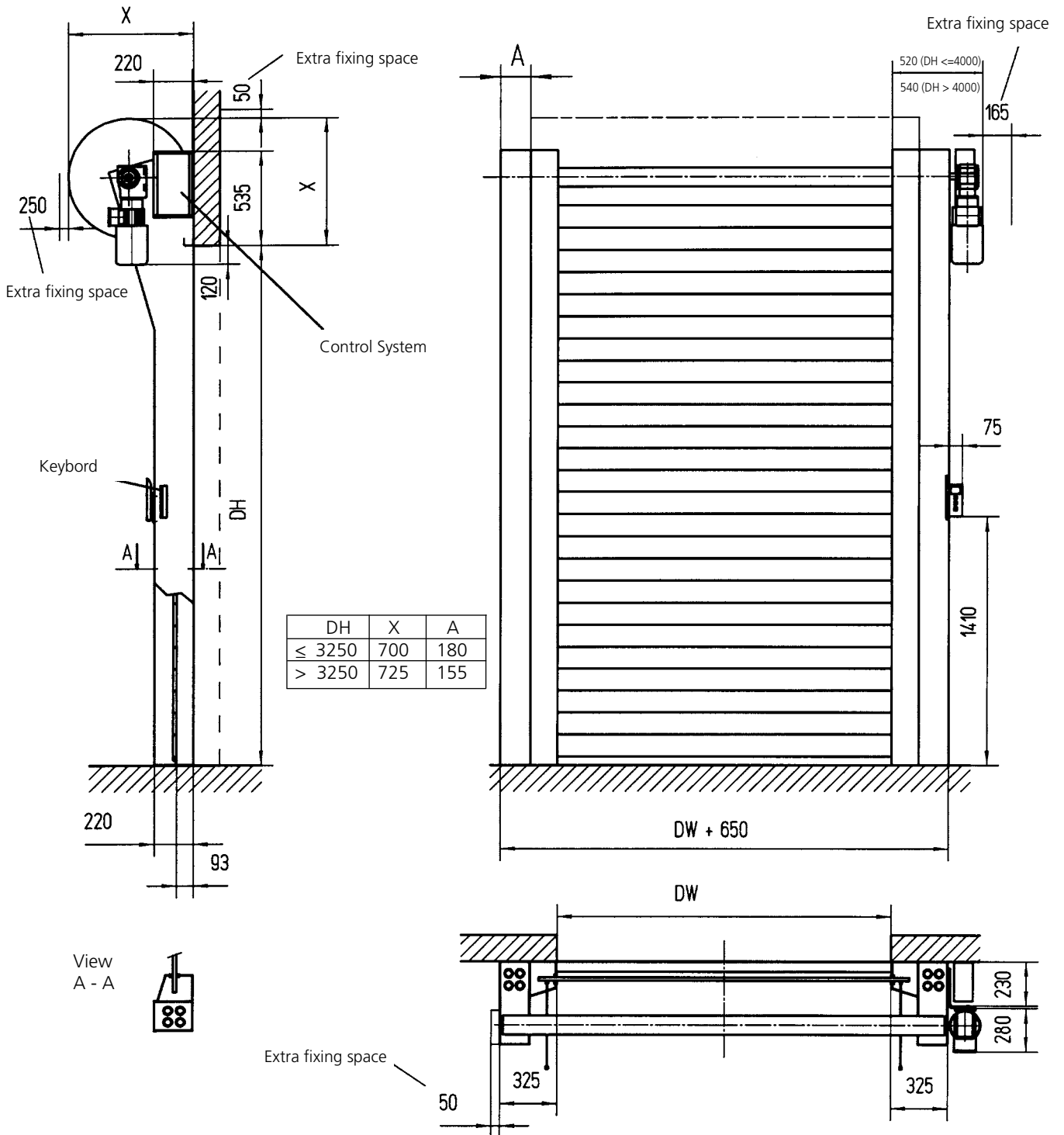
INDICATON OF RISK

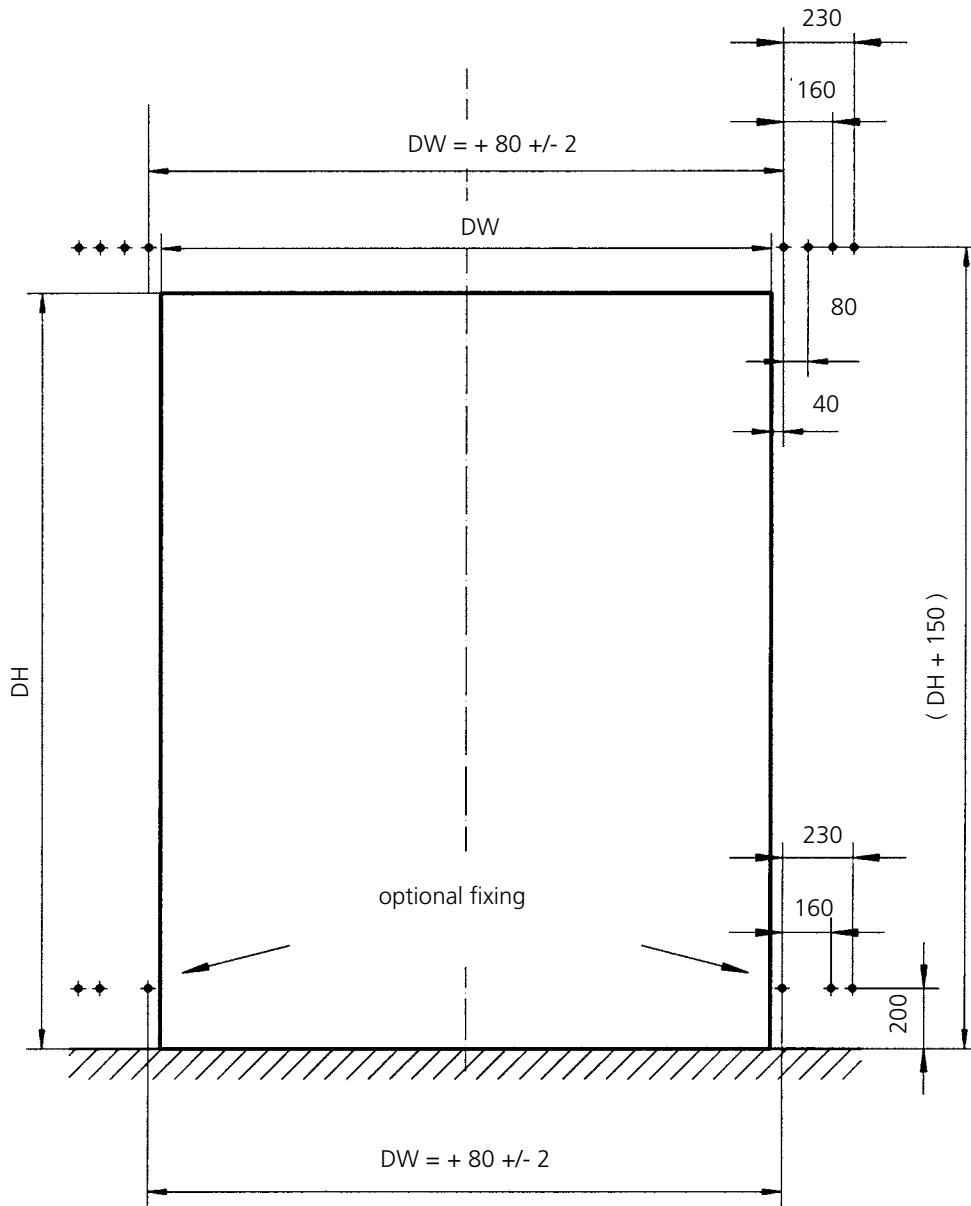
The security of the door is designed for normal use and for vehicles in an industrial environment corresponding to the harmonized CE-Guidelines. In consideration of the on site situation – especially in case of pedestrian use – additional safety measures, such as additional actuators may be required. In addition, special environmental conditions may impact the choice of door type. For more information or to schedule an on-site inspection, please contact an Albany Door Systems sales engineer.

Technical Data	
Exterior door	suitable
Interior door	suitable
Wind resistance	class 3 - EN 12424
Mounting position	inside
Door dimension (mm)	For details please note general drawing!
DW min. / max.	600 / 5000* mm
DH min. / max.	2500* / 5000 mm
*other dimensions on request	
Opening direction	vertical
Surface side columns	
Galvanised steel	✓
RAL colour paint	•
Aluminium (front covers)	•
Covers (optional)	
Motor cover	• ¹⁾
Top roll cover	• ¹⁾
Door curtain	
Anodised aluminium	✓
Coloured profiles (RAL)	•
Profiles with windows	•
Lengthened flexible seal	•
Drive unit	
Motor power / kW	1,1 kW
Chain drive	
Control system	MCC ^{VectorControl}
Additional opening height	✓
Potential free contacts	•
Fuse protection	12 A (internal)
Control voltage	24 V DC
Protection degree	IP 55
3L(N)/PE 380/400/415/440/480V, 50/60 Hz	✓ ²⁾
Safety	
Pre-running safety photocell	✓
Door line photocell	✓
Safety contact edge	•
Curtain tension	✓
Counterbalance	✓
Self opening (partial) by manual activation of the brake	✓ from floor
Break release lever outside	•
Speed (m/s)	
Open/close up to max.	2,5 / 0,7 m/s
Traffic light function	
Without direction detection	✓ 24 V DC
With direction detection	✓ 24 V DC
Flashing alarm light	✓ 24 V DC
Error message	✓ plain text
• Option ✓Standard — currently not available	

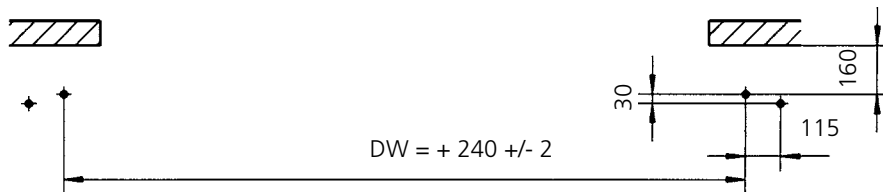
¹⁾ For doors of height ≤ 2500 mm the use of top roll and motor cover is required according to standard EN 13241-1.

²⁾ Transformer necessary for 220/230/500 V.





fixing screws M 12 or comparables



DISCDRIVE™

The DiscDrive™ technology prevents metal to metal contact as the door profiles wind onto the top roll, reducing excessive wear, vibration and noise.

TOP ROLL COVERS¹⁾

Optional top roll covers are available for additional door protection (not pictured here).

AESTHETICALLY PLEASING

The sleek aluminium door design and additional colour choices give the door a pleasing appearance.

WEATHER SEALS

Flexible rubber provides a tight weather seal between each slat and helps the door panel minimize damage in the event of accidental impact.

SIDE FRAME

The side frame are made of galvanised steel with bolt on covers to provide an attractive appearance and protect the door counterbalance and tensioning system.

CURTAIN

The door panel consists of anodised double-walled aluminium slats mounted individually without hinge connections or rollers.

CONTACTLESS SAFETY EDGE

The patented pre-running photo cell detects an object in the door path and immediately reverses the door before contact.



COUNTERBALANCED TENSIONING SYSTEM

A counterbalanced tensioning system provides smoother operations and enables manual opening of the door in the event of a power outage.

ACTUATORS

Individual applications can include additional safety devices. Actuators such as infrared, radar detectors, push buttons, vehicle detector loops or radio transmitters can be added to the control system. Please contact us for additional information for your specific needs.

Notes:

¹⁾ For doors of height ≤ 2500 mm the use of top roll and motor cover is required according to standard EN 13241-1.



Products shown may include additional options



DISCDRIVE™

This patented technology reduces excessive wear, vibration and noise during high-cycle operation.



ANODISED ALUMINIUM PROFILES

The door curtain consists of double-walled aluminium profiles. Profiles with windows are available as option.



INTERCHANGEABLE DOOR PROFILES

Individual profiles can be replaced if they become damaged.



CONTACTLESS SAFETY EDGE

This patented pre-running safety photocell reverses the door if an object is in the door path to prevent contact.



Products shown may include additional options

ALBANY DOOR SYSTEMS

ASIA

KIARA PARK 172-3-2 • JLN. BURHANUDDIN HELMI
TTDI, 60.000 KUALA LUMPUR
PHONE: +60 (0) 3 77 27 01 84 • FAX: +60 (0) 3 77 27 01 84
INFO.ADS.MY@ALBINT.COM

AUSTRALIA

23 FAUNCE ST. WEST GOSFORD • 2250 NSW
PHONE: +61 (0) 2 / 43 23 23 86 • FAX: +61 (0) 2 / 43 24 54 11
SALES.ADS.AU@ALBINT.COM

GERMANY

AM MONDSCHHEIN 25 • 59557 LIPPSTADT
PHONE: +49 (0) 29 41 / 766-0 • FAX +49 (0) 2941 / 766-294
VERKAUF.ADS.DE@ALBINT.COM

SWEDEN

BOX 509 • S - 301 80 HALMSTAD
PHONE: +46 (0) 35/14 73 00 FAX: +46 (0) 35/14 73 99
SALES.ADS.SE@ALBINT.COM

USA

975-A OLD NORCROSS ROAD • LAWRENCEVILLE • GA 30045-4321
PHONE: +1 (0) 7 770 / 338 / 5000 • FAX: +1 (0) 770/338/5024
SALES.ADS.US@ALBINT.COM

Albany Door Systems products and services are available around the world. For a subsidiary or representative in your region visit

WWW.ALBANYDOORS.COM